

# CZ1373/3、CZ1373/4


**D**

## 描述 Descriptions

防爆 LED (应急) 条形灯壳体由碳钢或 304/316L 不锈钢成型, 透明罩采用钢化玻璃, 其稳定性及机械强度高, 具有良好的防护能力。壳体与透明罩间设有发泡硅橡胶密封圈, 密封结构为多层压缩接触, 保证外壳防护高达IP66。

防爆 LED 条形灯内部配置LED光源模块、电源模块, 带有恒流输出和过温保护功能。

防爆 LED 应急条形灯内部配置LED光源模块、应急照明电源模块、电池模块, 带有恒流输出和过温保护功能, 设有故障信号指示、充电信号指示、放电信号指示。

防爆LED 条形灯通过调光控制系统对灯具的照明需求进行改变, 达到绿色节能照明。

- 灯具安装形式分为嵌入式和吸顶式。
- LED光源模块采用了最新的高光效LED 颗粒, 配光与显色性能优异。
- LED光源模块有两种光学设计, 发光角度分别为55°和110°。
- LED电源模块有过温保护、过压保护、短路保护功能。
- 防护等级高达IP66。
- IECEx 国际认证, ATEX 欧洲认证。
- 可定制高光效光源, 光效 $\geq 135\text{lm/W}$  (符合中国一级能效标准)
- LED条形灯具备0-10V可调光。

Explosion-proof (emergency) LED linear light fittings are manufactured either by carbon steel or stainless steel 304/316L and the transparent cover are manufactured by toughened glass. They have good protection due to its high stability and high mechanical strength. There is a foamed silicone rubber sealing ring between the shell and the transparent cover, and the sealing structure is multi-layer compression contact to ensure that the protection of the shell is up to IP66.

Normal version has the separately certified explosion-proof LED module and explosion-proof power supply module inside which have the functions of constant current output and over temperature protection.

Emergency version has separately certified explosion-proof LED module, explosion-proof inverter module and explosion-proof battery module which have the functions of constant current output and over temperature protection, and signal lamps which indicate fault, charging and discharging status.

Explosion-proof LED linear light could adjust lighting requirement through dim system, to meet green and energy-saving lighting.

- Available in recessed and ceiling mounting type.
- With the latest high-efficient LED chips, LED light source module has excellent luminous intensity and color rendering performance.
- LED light source module available two optical design, which beam angle is 55° and 110°
- LED power supply module with protection of over-temperature, over-voltage and short-circuit.
- Degree of protection up to IP66.
- IECEx and ATEX certified.
- Can be customized high lighting effect light source, which over 135lm/W (comply to China level 1 energy efficiency standard)
- LED linear lighting with dimming range 0-10V.

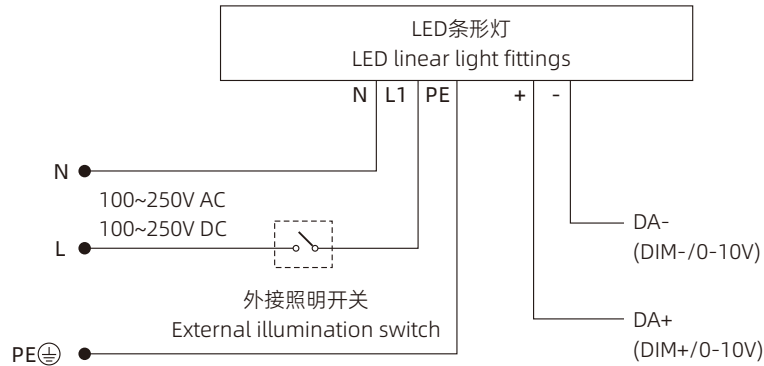
## 2 区

## 21 区和 22 区

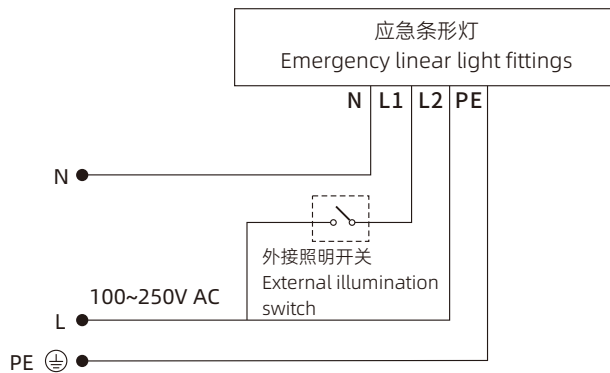
## Zone 2

## Zone 21 and zone 22

**灯具安装线路图 wiring diagram for light fittings**



**应急灯具安装线路图 Wiring diagram for emergency light fittings**

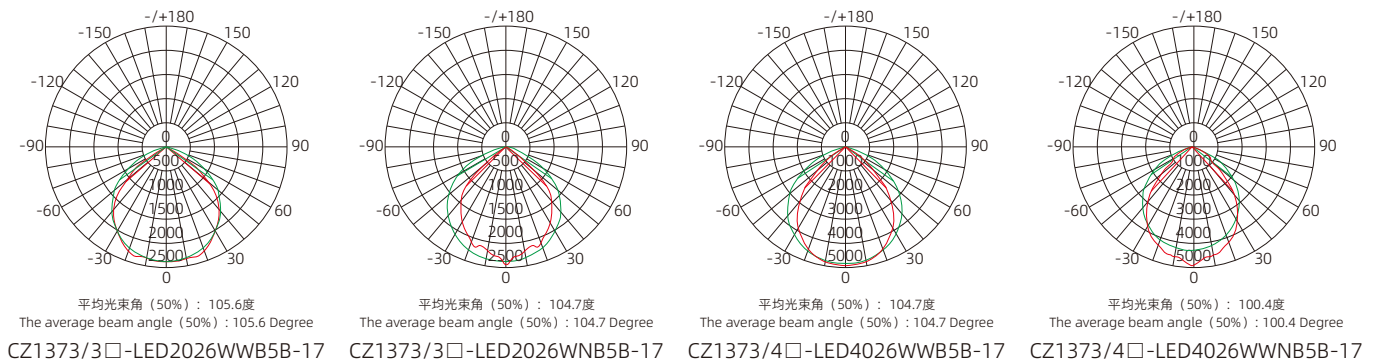


**配光曲线 Luminous intensity distribution curve**

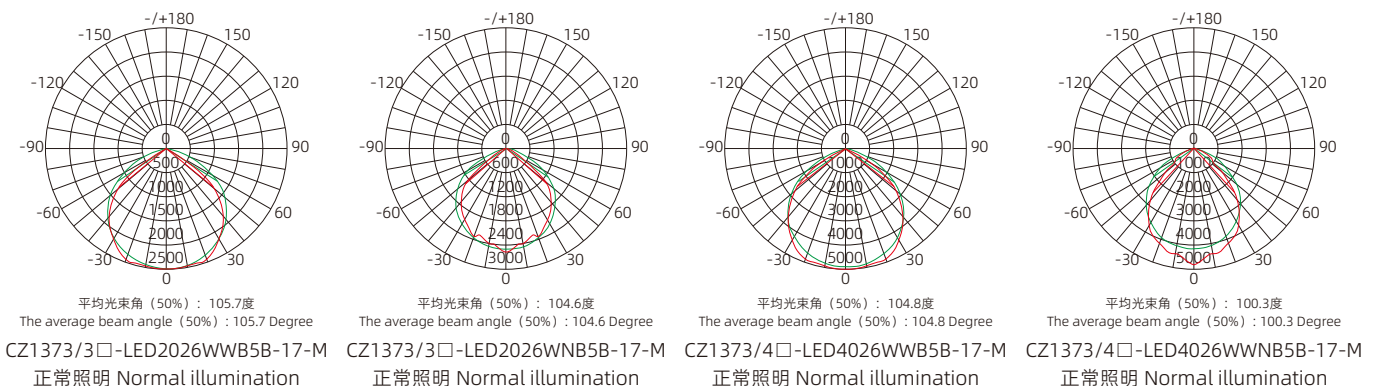
— C0/180 — C90/270

光强单位 luminous intensity unit: cd/lm

**CZ1373/3、CZ1373/4 防爆 LED 条形灯 Explosion-proof LED linear light fittings**



**CZ1373/3、CZ1373/4 防爆 LED 应急条形灯 Explosion-proof LED emergency linear light fittings**



**主要数据 Main technical data**

认证 Certification	防爆标志 Ex mark	符合标准 Meet the standard
China	Ex ec II C T5/T4 Gc Ex tb IIIC T80°C Db Ex db ec mb II C T5/T4 Gc Ex tb IIIC T80°C Db 配置熔断器 With fuse	GB/T3836
IECEX	Ex ec II C T5/T4 Gc Ex tb IIIC T80°C Db Ex db ec mb II C T5/T4 Gc Ex tb IIIC T80°C Db 配置熔断器 With fuse	IEC60079
ATEX	Ⓜ II 3G2D Ex ec II C T5/T4 Gc Ex tb IIIC T80°C Db Ⓜ II 3G2D Ex db ec mb II C T5/T4 Gc Ex tb IIIC T80°C Db 配置熔断器 With fuse	EN60079

适用范围: 用于 2 区

用于 21 区和 22 区

 使用环境温度:  $-40^{\circ}\text{C} \leq T_{\text{a}} \leq +40^{\circ}\text{C}$  (T5)

 $-40^{\circ}\text{C} \leq T_{\text{a}} \leq +55^{\circ}\text{C}$  (T4)

防护等级: IP66 (IP64 配呼吸阀 CZ0527)

额定电压: AC 100 ~ 250V 50/60Hz, DC 100 ~ 250V

色温: 标配 5000K, (可选 3000K、4000K、6500K)

 显色指数:  $R_{\text{a}} \geq 80$ 

 功率因数:  $\lambda > 0.9$ 

 适用安装高度: 宽光型:  $\leq 3\text{m}$ ; 窄光型: 3 ~ 6m

 接线端子: L1、L2、L、N、PE, 每个端子  $2 \times 1.5\text{-}10\text{mm}^2$ 

电气配置: 可选防爆熔断器

电缆入口: 标配 M25 (可选 M20)

 塑制 1-M25 $\times$ 1.5, 电缆外径:  $\Phi 9\text{-}17\text{mm}$ 

 塑制 2-M25 $\times$ 1.5 空塞堵头

符合: CE 2460

Intended use: Can be used in zone 2

Can be used in zone 21 and zone 22

 Ambient temperature use:  $-40^{\circ}\text{C} \leq T_{\text{a}} \leq +40^{\circ}\text{C}$  (T5)

 $-40^{\circ}\text{C} \leq T_{\text{a}} \leq +55^{\circ}\text{C}$  (T4)

Degree of protection: IP66 (IP64 with breather CZ0527)

Rated voltage: AC 100 ~ 250V 50/60Hz, DC 100 ~ 250V

Colour temperature: Standard 5000K, (Optional 3000K, 4000K, 6500K)

 Color rendering index:  $R_{\text{a}} \geq 80$ 

 Power factor:  $\lambda > 0.9$ 

 Applicable installation height: Wide beam:  $\leq 3\text{m}$ , Narrow beam: 3 ~ 6m

 Terminals: L1, L2, L, N, PE, each terminal  $2 \times 1.5\text{-}10\text{mm}^2$ 

Electrical configuration: Optional Explosion-proof fuse



Cable entry: Standard M25 (Optional M20)

 Moulded plastic 1-M25 $\times$ 1.5 cable gland, outside diameter of cable:  $\Phi 9\text{-}17\text{mm}$ 

 Moulded plastic 2-M25 $\times$ 1.5 stopping plugs

Conformity to: CE 2460

**D**
**订购规格 Order specifications**

图样 Illustration	配光 Light distribution	光源功率 Power of light source	光通量 Luminous flux	重量(kg) Weight		订购号 Order No.
				嵌入式 Recessed type	吸顶式 Ceiling type	
	宽光型 Wide beam	2 $\times$ LED 26W	5735 lm	12.6	13.3	<b>CZ1373/3</b> □-LED2026WWB5B-17-□-B2-□
		4 $\times$ LED 26W	11723 lm	18.2	19.0	<b>CZ1373/4</b> □-LED4026WWB5B-17-□-B2-□
	窄光型 Narrow beam	2 $\times$ LED 26W	5272 lm	12.6	13.3	<b>CZ1373/3</b> □-LED2026WNB5B-17-□-B2-□
		4 $\times$ LED 26W	10845 lm	18.2	19.0	<b>CZ1373/4</b> □-LED4026WNB5B-17-□-B2-□

 嵌入式  
Recessed type

 吸顶式  
Ceiling type

**23:** 碳钢 (表面喷涂白色塑粉)  
Carbon steel (Surface white plastic powder coated)

**40:** 304 不锈钢 (表面拉丝处理)  
stainless steel (Surface brushed treatment)

**60:** 316L 不锈钢 (表面拉丝处理)  
stainless steel (Surface brushed treatment)

 外壳材料  
Material of  
enclosure

**3-3000K 4-4000K** } 色温 Colour temperature  
**5-5000K 6-6500K** }

**F:** 防爆熔断器模块 (不配不注)  
Explosion-proof fuse module (Optional)

电缆引入装置编码详见 D/33 页 Code of cable gland see page D/33

**1** - 嵌入式 Recessed type } 安装形式 Mounting type  
**2** - 吸顶式 Ceiling type }

**主要数据 Main technical data**

认证 Certification	防爆标志 Ex mark	符合标准 Meet the standard
China	Ex ec mb II C T5/T4 Gb Ex tb IIIC T80°C Db	GB/T3836
IECEX	Ex ec mb II C T5/T4 Gb Ex tb IIIC T80°C Db	IEC60079
ATEX	Ⓔ II 3G2D Ex ec mb II C T5/T4 Gb Ex tb IIIC T80°C Db	EN60079

适用范围：用于 2 区

用于 21 区和 22 区

使用环境温度：-40°C ≤ Ta ≤ +40°C (T5)

-40°C ≤ Ta ≤ +55°C (T4)

防护等级：IP66

额定电压：AC 100 ~ 250V 50/60Hz、DC 100 ~ 250V

色温：标配 5000K，(可选 3000K、4000K、6500K)

显色指数：Ra ≥ 80

功率因数：λ &gt; 0.9

充电时间：24 h

电池充电环境温度：0°C ~ +55°C

电池放电环境温度：-20°C ~ +70°C

应急启动时间：0.1 (S)

应急照明时间：&gt; 180 (min)

适用安装高度：宽光型：≤ 3m；窄光型：3 ~ 6m

 接线端子：L1、L2、L、N、PE，每个端子 2 × 1.5-10mm<sup>2</sup>

电气配置：可选防爆熔断器

电缆入口：标配 M25 (可选 M20)

塑制 1-M25 × 1.5，电缆外径：Φ9-17mm

塑制 2-M25 × 1.5 空塞堵头

符合：CE 2460

Intended use: Can be used in zone 2

Can be used in zone 21 and zone 22

Ambient temperature use: -40°C ≤ Ta ≤ +40°C (T5)

-40°C ≤ Ta ≤ +55°C (T4)

Degree of protection: IP66

Rated voltage: AC 100 ~ 250V 50/60Hz、DC 100 ~ 250V

Colour temperature: Standard 5000K, (Optional 3000K, 4000K, 6500K)

Color rendering index: Ra ≥ 80

Power factor: λ &gt; 0.9

Recharging time: 24 h

Battery charging ambient temperature: 0°C ~ +55°C

Battery discharge ambient temperature: -20°C ~ +70°C

Emergency starting time: 0.1 (S)

Emergency illuminating time: &gt; 180 (min)

Applicable installation height: Wide beam: ≤ 3m, Narrow beam: 3 ~ 6m

 Terminals: L1, L2, L, N, PE, each terminal 2 × 1.5-10mm<sup>2</sup>

Electrical configuration: Optional Explosion-proof fuse

Cable entry: Standard M25 (Optional M20)

Moulded plastic 1-M25 × 1.5 cable gland, outside diameter of cable: Φ9-17mm

Moulded plastic 2-M25 × 1.5 stopping plugs

Conformity to: CE 2460


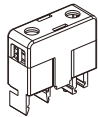
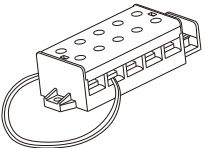
**订购规格 Order specifications**

图样 Illustration	配光 Light distribution	光源功率 Power of light source	光通量 Luminous flux		重量(kg) Weight		订购号 Order No.
			正常照明 Normal illumination	应急照明 Emergency illumination	嵌入式 Recessed type	吸顶式 Ceiling type	
	宽光型 Wide beam	2 × LED 26W	5956lm	1145lm	14.2	15.0	<b>CZ1373/3</b> □ - LED2026WWB5B-17-M-□ - B2+ □
		4 × LED 26W	11791lm	1145lm	19.7	19.5	<b>CZ1373/4</b> □ - LED4026WWB5B-17-M-□ - B2+ □
	窄光型 Narrow beam	2 × LED 26W	5508lm	1059lm	14.2	15.0	<b>CZ1373/3</b> □ - LED2026WNB5B-17-M-□ - B2+ □
		4 × LED 26W	10602lm	1059lm	19.7	19.5	<b>CZ1373/4</b> □ - LED4026WNB5B-17-M-□ - B2+ □
	嵌入式 Recessed type						
	吸顶式 Ceiling type						
<p>23: 碳钢 (表面喷涂白色塑粉) Carbon steel (Surface white plastic powder coated)</p> <p>40: 304 不锈钢 (表面拉丝处理) stainless steel (Surface brushed treatment)</p> <p>60: 316L 不锈钢 (表面拉丝处理) stainless steel (Surface brushed treatment)</p> <p>外壳材料 Material of enclosure</p> <p>3-3000K 4-4000K } 色温 Colour temperature</p> <p>5-5000K 6-6500K }</p> <p>M-持续型 Maintained } 应急型式 Type of emergency</p> <p>F: 防爆熔断器模块 (不配不注) Explosion-proof fuse module (Optional)</p> <p>电缆引入装置编码详见 D/33 页 Code of cable gland see page D/33</p> <p>1 - 嵌入式 Recessed type } 安装形式 Mounting type</p> <p>2 - 吸顶式 Ceiling type }</p>							

**电缆引入装置编码 Code of cable gland**

编码 Code	规格 Specifications	电缆直径 Cable diameter
<b>B1</b>	塑制 1 个 M20×1.5 电缆密封套, 塑制 2 个 M20×1.5 空塞堵头 One moulded plastic M20×1.5 cable gland, two moulded plastic M20×1.5 stopping plugs	Φ6-13mm
<b>C1</b>	铜制 1 个 CZ0221/M20×1.5 金属电缆密封套, 塑制 2 个 M20×1.5 空塞堵头 One brass CZ0221/M20×1.5 metal cable gland, two moulded plastic M20×1.5 stopping plugs	Φ6-13mm
<b>D1</b>	塑制 2 个 M20×1.5 电缆密封套, 塑制 1 个 M20×1.5 空塞堵头 Two moulded plastic M20×1.5 cable glands, one moulded plastic M20×1.5 stopping plug	Φ6-13mm
<b>E1</b>	铜制 2 个 CZ0221/M20×1.5 金属电缆密封套, 塑制 1 个 M20×1.5 空塞堵头 Two brass CZ0221/M20×1.5 metal cable glands, one moulded plastic M20×1.5 stopping plug	Φ6-13mm
<b>H1</b>	铜制 1 个 CZ0226/M20×1.5(G01) 增安型金属电缆密封套, 塑制 2 个 M20×1.5 空塞堵头 One brass CZ0226/M20×1.5(G01) increased safety metal cable gland, two moulded plastic M20×1.5 stopping plugs	Φ8-13.5mm
<b>I1</b>	铜制 2 个 CZ0226/M20×1.5(G01) 增安型金属电缆密封套, 塑制 1 个 M20×1.5 空塞堵头 Two brass CZ0226/M20×1.5(G01) increased safety metal cable glands, one moulded plastic M20×1.5 stopping plug	Φ8-13.5mm
<b>B2</b>	塑制 1 个 M25×1.5 电缆密封套, 塑制 2 个 M25×1.5 空塞堵头 One moulded plastic M25×1.5 cable gland, two moulded plastic M25×1.5 stopping plugs	Φ9-17mm
<b>C2</b>	铜制 1 个 CZ0221/M25×1.5 金属电缆密封套, 塑制 2 个 M25×1.5 空塞堵头 One brass CZ0221/M25×1.5 metal cable gland, two moulded plastic M25×1.5 stopping plugs	Φ9-17mm
<b>D2</b>	塑制 2 个 M25×1.5 电缆密封套, 塑制 1 个 M25×1.5 空塞堵头 Two moulded plastic M25×1.5 cable glands, one moulded plastic M25×1.5 stopping plug	Φ9-17mm
<b>E2</b>	铜制 2 个 CZ0221/M25×1.5 金属电缆密封套, 塑制 1 个 M25×1.5 空塞堵头 Two brass CZ0221/M25×1.5 metal cable glands, one moulded plastic M25×1.5 stopping plug	Φ9-17mm
<b>H2</b>	铜制 1 个 CZ0226/M25×1.5(G02) 增安型金属电缆密封套, 塑制 2 个 M25×1.5 空塞堵头 One brass CZ0226/M25×1.5(G02) increased safety metal cable gland, two moulded plastic M25×1.5 stopping plugs	Φ11.5-16mm
<b>I2</b>	铜制 2 个 CZ0226/M25×1.5(G02) 增安型金属电缆密封套, 塑制 1 个 M25×1.5 空塞堵头 Two brass CZ0226/M25×1.5(G02) increased safety metal cable glands, one moulded plastic M25×1.5 stopping plug	Φ11.5-16mm

**备件 Spare parts**

图样 Illustration	描述 Descriptions	单位 Unit	订购号 Order No.
 接地螺母 Earthing nut	金属接地螺母 2-M20×1.5 Metal earthing nut 2-M20×1.5	套 Set	<b>D8714/2-M20</b>
	金属接地螺母 2-M25×1.5 Metal earthing nut 2-M25×1.5	套 Set	<b>D8714/2-M25</b>
 防爆熔断器模块 Explosion-proof fuse module	防爆型式 Type of protection Ⓢ II 2G Ex e mb II C Gb	0.8A 只 Piece	<b>CZ0804 / T0.8A</b>
		1.25A 只 Piece	<b>CZ0804 / T1.25A</b>
		6.3A 只 Piece	<b>CZ0804 / T6.3A</b>
 带导线端子板 Terminal board with cable	3P 端子, 导线 3×2.5mm <sup>2</sup> , max16A, L1+N+PE 3P terminal, Conductor 3×2.5mm <sup>2</sup>	套 Set	<b>305/1A</b>
	4P 端子, 导线 4×2.5mm <sup>2</sup> , max16A, L1+L2+N+PE 4P terminal, Conductor 4×2.5mm <sup>2</sup>	套 Set	<b>305/3A</b>

**备件 Spare parts**

图样 Illustration	描述 Descriptions	单位 Unit	订购号 Order No.
 LED 光源模块 LED light source module	功率 Power: Max30W / 4240 lm / 5000K 宽光型 (发光角度110°) Wide beam (Luminous angle 110°)	只 Piece	<b>CZ1718/11B-LED30WWB5B</b>
	功率 Power: Max30W / 4240 lm / 5000K 窄光型 (发光角度55°) Narrow beam (Luminous angle 55°)	只 Piece	<b>CZ1718/11B-LED30WNB5B</b>
 电源可调光模块 (0-10V) Power supply module with lighting dimming (0-10V)	功率: 最大30W, 用于 1×LED26W 条形灯 Power: Max30W, Used for 1×LED26W linear light fittings AC/DC 100~250V 50/60Hz	只 Piece	<b>CZ1718/57B-LED30W</b>
	功率: 最大60W, 用于 2×LED26W 条形灯 Power: Max60W, Used for 2×LED26W linear light fittings AC/DC 100~250V 50/60Hz	只 Piece	<b>CZ1718/57B-LED60W</b>
 应急照明电源模块 Emergency lighting power supply module	正常功率: 最大30W, 应急功率: 7W, 用于1×26W应急LED条形灯 Normal power: Max 30W, Emergency power: 7W, Used for 1×26W emergency LED linear light fittings AC/DC 100~250V 50/60Hz	只 Piece	<b>CZ1718/58B-LED30W-07</b>
	正常功率: 最大60W, 应急功率: 10W, 用于2×26W应急LED条形灯 Normal power: Max 60W, Emergency power: 10W, Used for 2×26W emergency LED linear light fittings AC/DC 100~250V 50/60Hz	只 Piece	<b>CZ1718/58B-LED60W-10</b>
 电池模块 Battery module	规格 Specifications: 3.0Ah/7.2V	套 Set	<b>CZ0819/3.0Ah 7.2V</b>
	规格 Specifications: 4.5Ah/7.2V	套 Set	<b>CZ0819/4.5Ah 7.2V</b>
 应急指示灯模块 Emergency indicator module	LED三种颜色: 红、黄、绿 Three colors for LED: red, yellow, green	套 Set	<b>CZ0802/1</b>

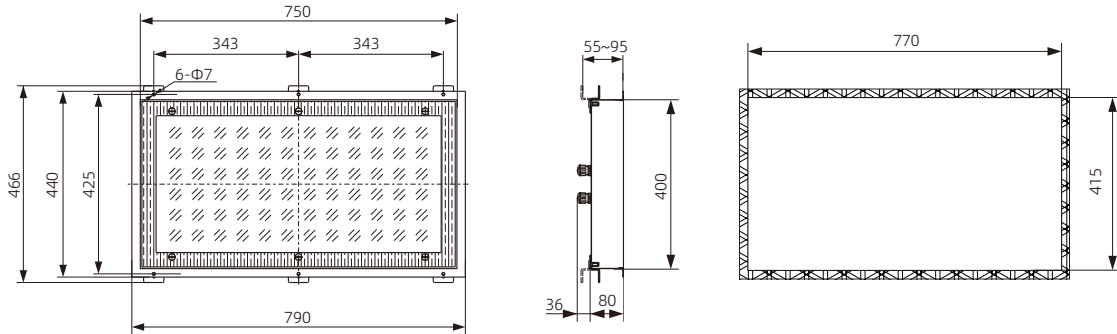
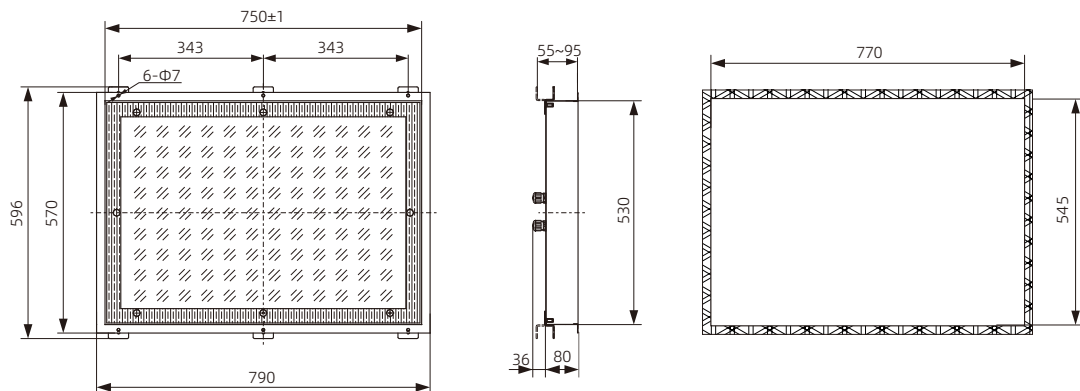
**D**



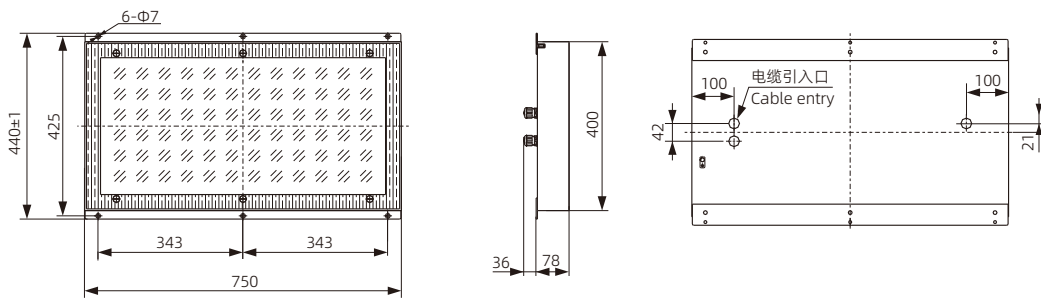
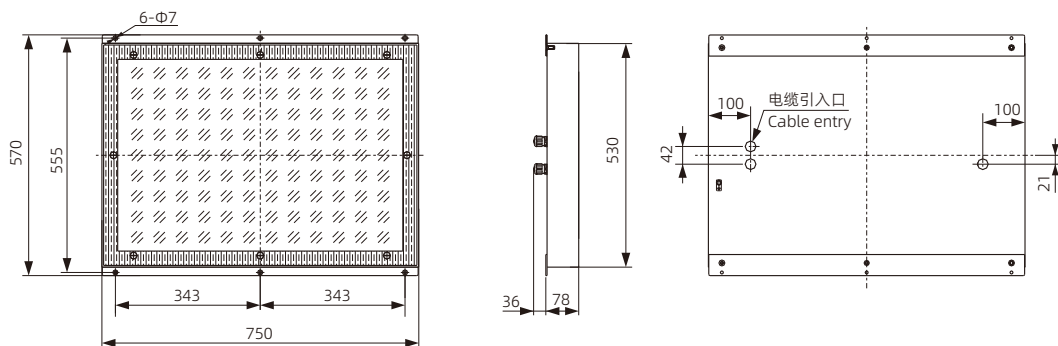
**外形尺寸 Outline dimensions**

单位 Unit: mm

嵌入式安装 Recessed type mounting


**CZ1373/3**

**CZ1373/4**

吸顶式安装 Ceiling type mounting


**CZ1373/3**

**CZ1373/4**

